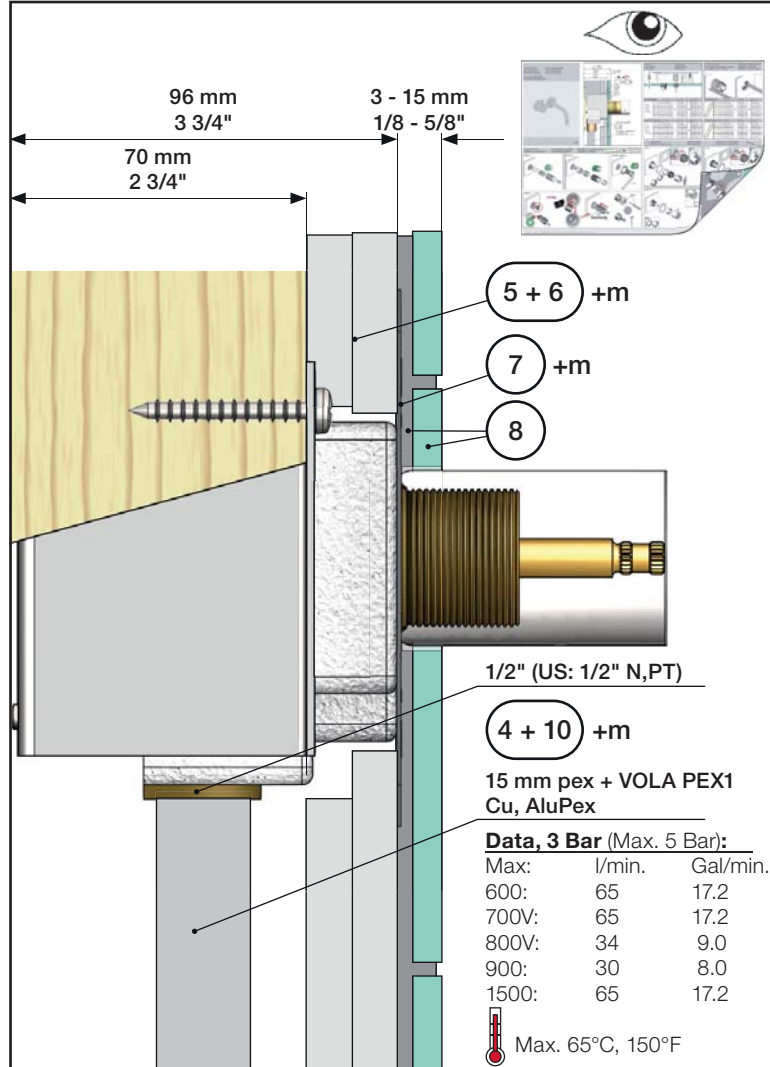
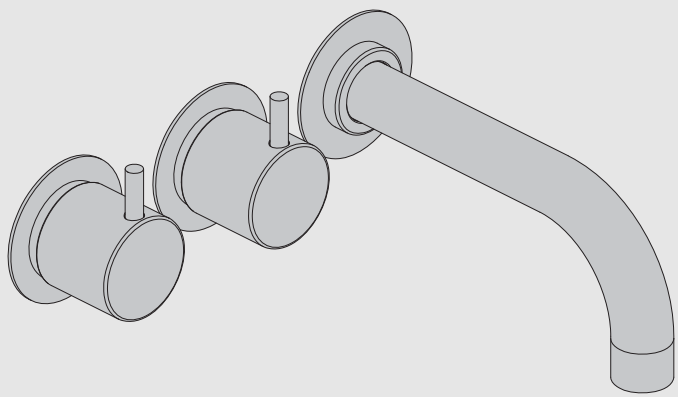


VOLA 600, 700, 700V, 900, 1500
 VOLA 800, 800V, 800N, 800NV, 800T, 800TV
 VOLA S20V, S40V

Fitting instruction
 Montageanleitung
 Monteringsvejledning

Monteringsvægledning
 Montage hanleiding
 Manuel de montage



Extension
Verlängerung
Forlængerdele

Förlängning
Verlengstücken
Modification

70 mm
2 3/4"

Max. 26 mm
Max. 1"

Max. 26 mm
Max. 1"

VR697

VR698

600, 700V, 800V: 2xVR697
 1500: 1xVR697+1xVR698
 900: 1xVR697

	VR697:	VR1400:	VR2019:
Tiles:	3 - 15 mm Standard	Standard	Standard
Fliesen:	15 - 25 mm VR697+10	VR1400+10	VR2019+10
Fliser:	25 - 35 mm VR697+20	VR1400+20	VR2019+20
Fliser:	35 - 45 mm VR697+30	VR1400+30	VR2019+30
Tegels:	45 - 55 mm VR697+40	VR1400+40	VR2019+40
Carreaux:	55 - 65 mm VR697+50	VR1400+50	VR2019+50

Extension, retrofit
Verlängerung, nachträglicher Einbau
Forlængerdele, eftermontering

Förlängning, eftermontering
Aanpassing na montage
Modification après installation

52 - 0 mm

-15 - 0 mm

	VR697:	VR1400:	VR2019:
	39 - 54 mm Standard	Standard	Standard
	29 - 39 mm VR697+10	VR1400+10	VR2019+10
	19 - 29 mm VR697+20	VR1400+20	VR2019+20
	9 - 19 mm VR697+30	VR1400+30	VR2019+30
	9 - (-1) mm VR697+40	VR1400+40	VR2019+40
	-1 - (-11) mm VR697+50	VR1400+50	VR2019+50

VA 1.42/19069, VA 1.42/19822, VA 1.42/19823,
 VA 1.42/19827, VA 1.42/19828

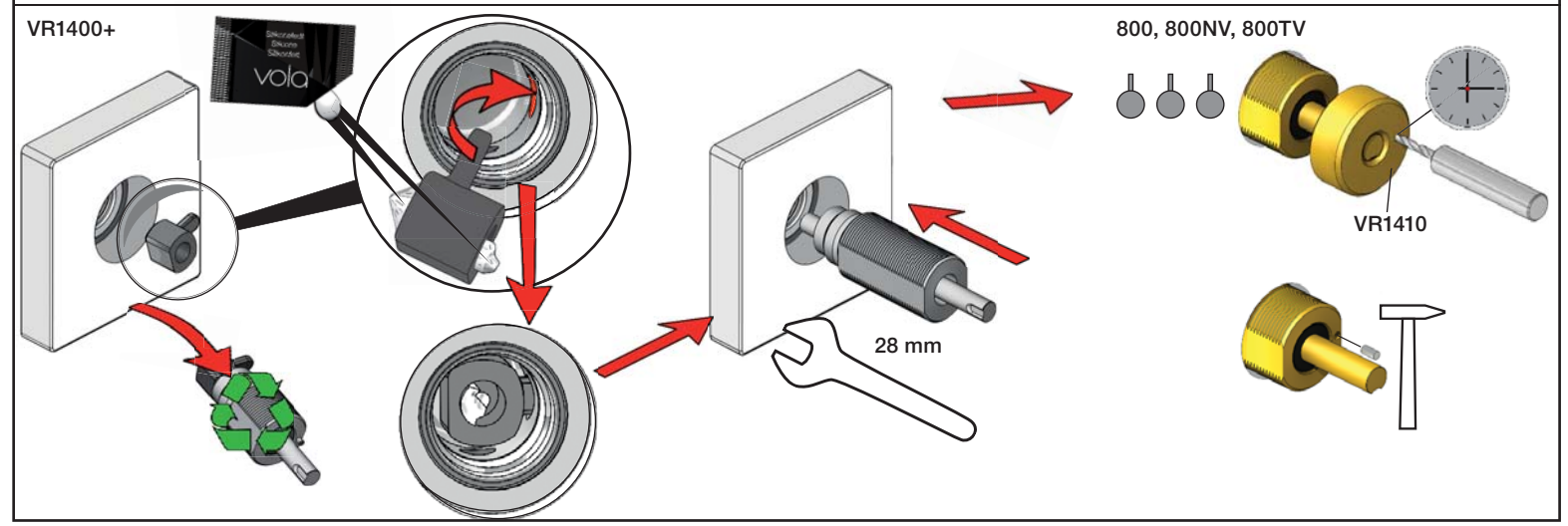
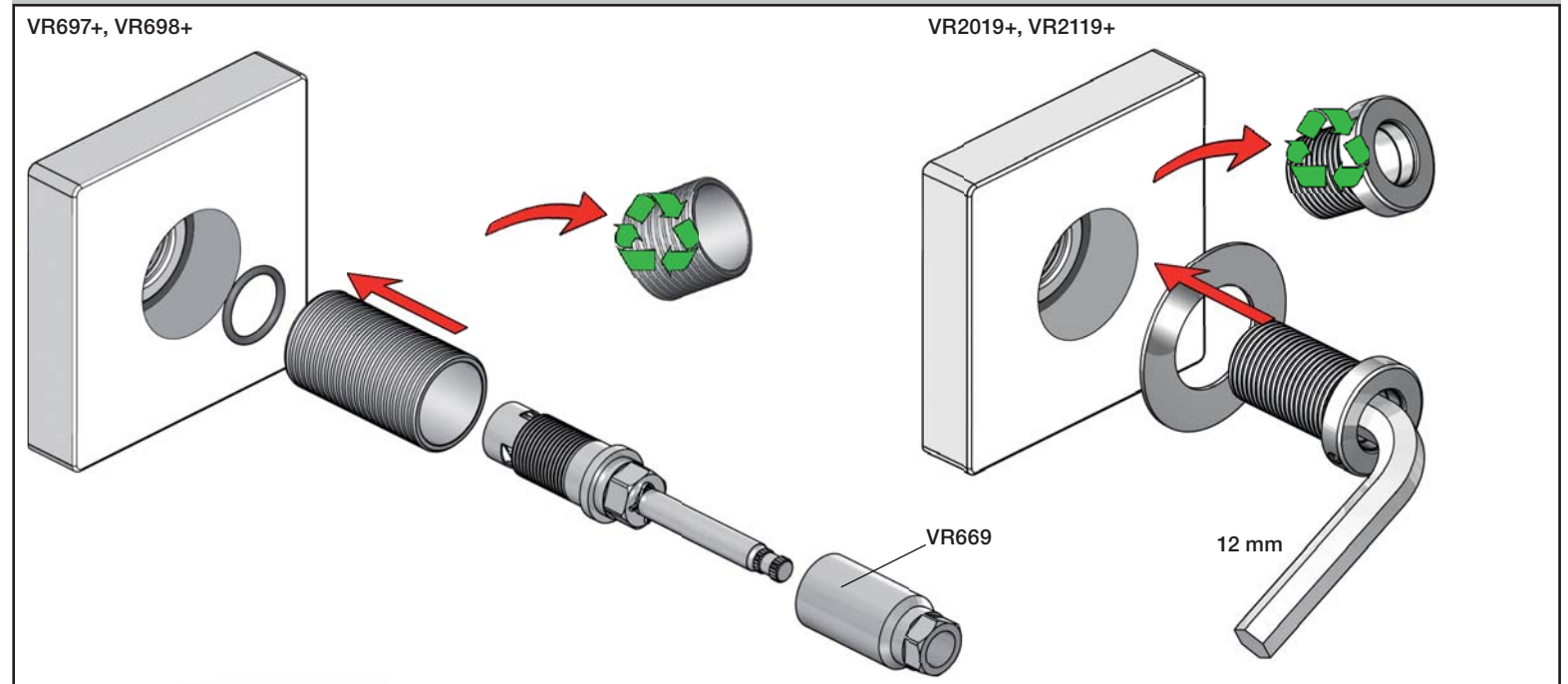
www.vola.com

vola

Fitting of extension
Montage von verlängerung

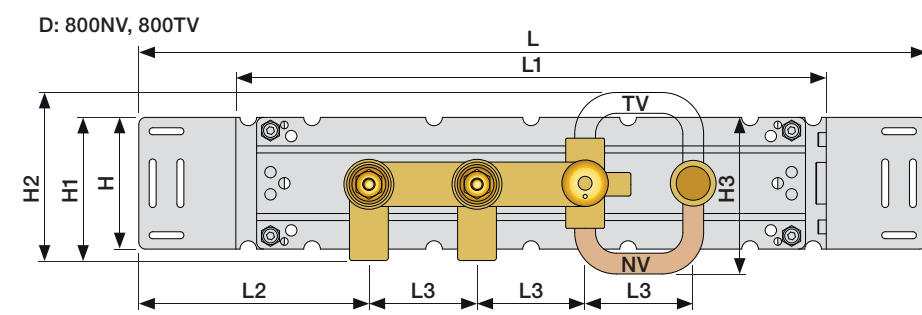
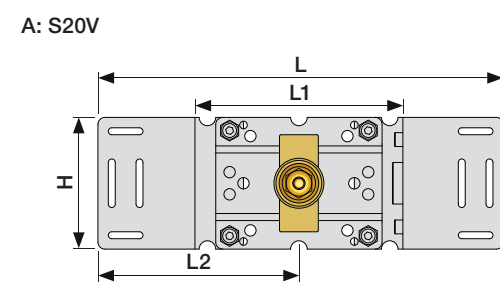
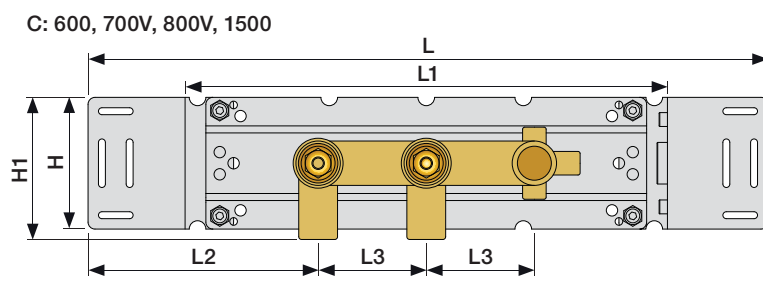
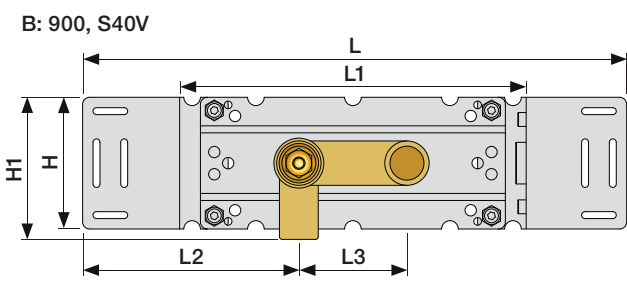
Montering af forlængerdele
Montering av förlängning

Montage van de verlengstukken
Montage des rallonges

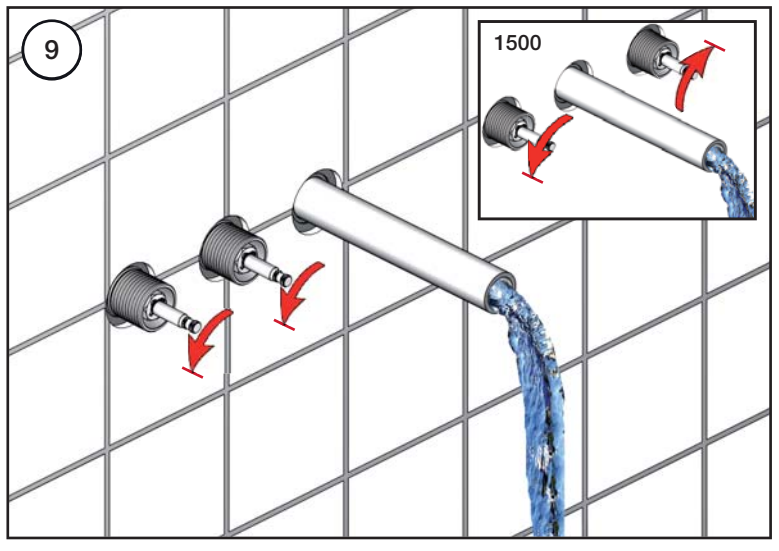
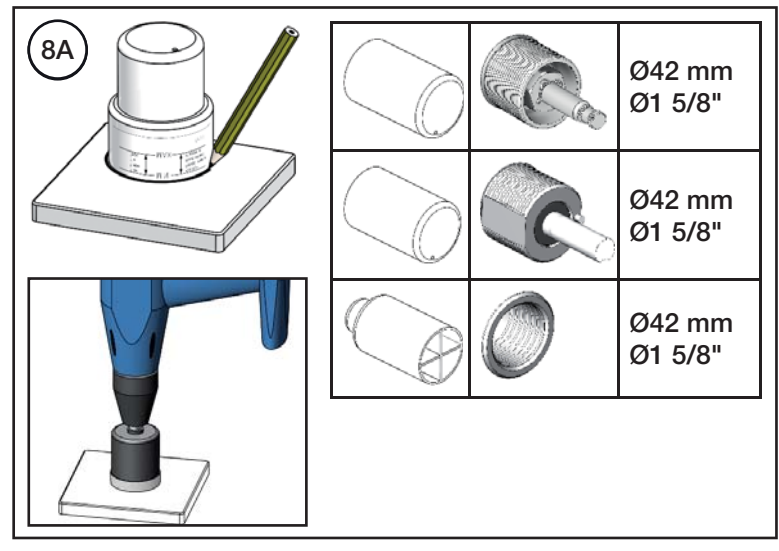
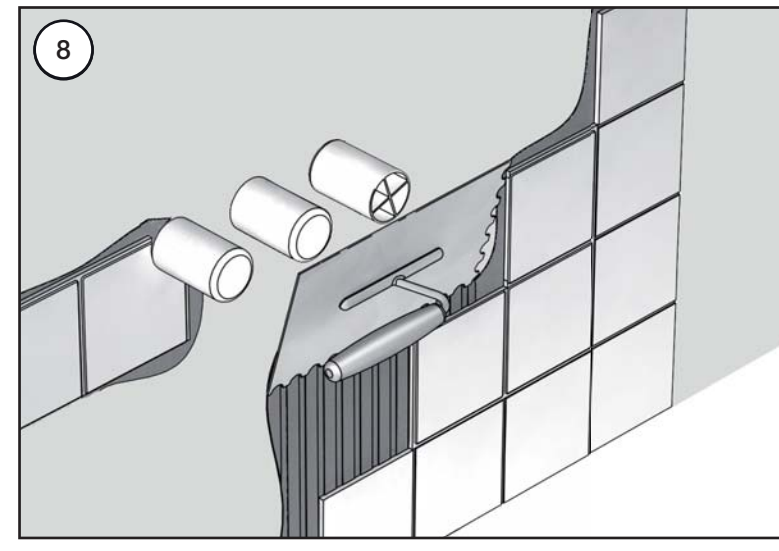
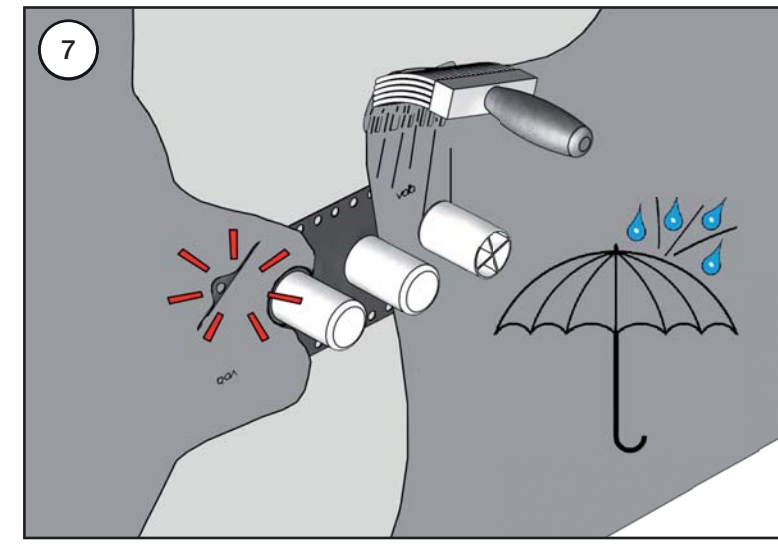
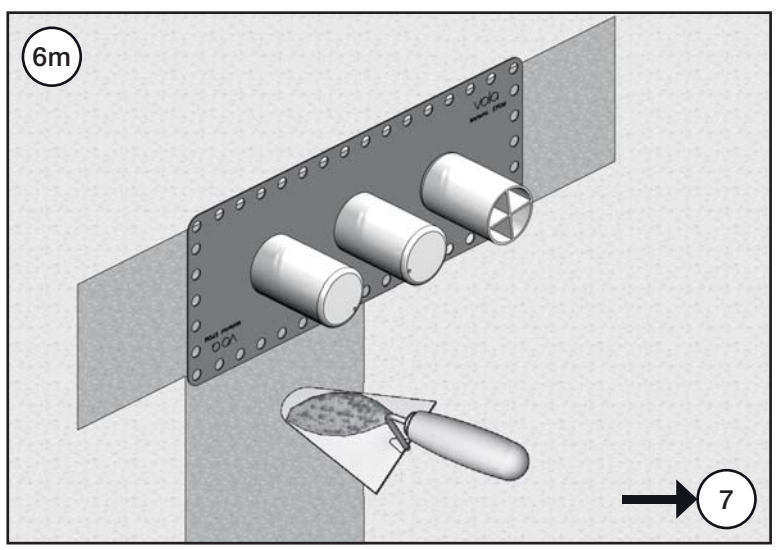
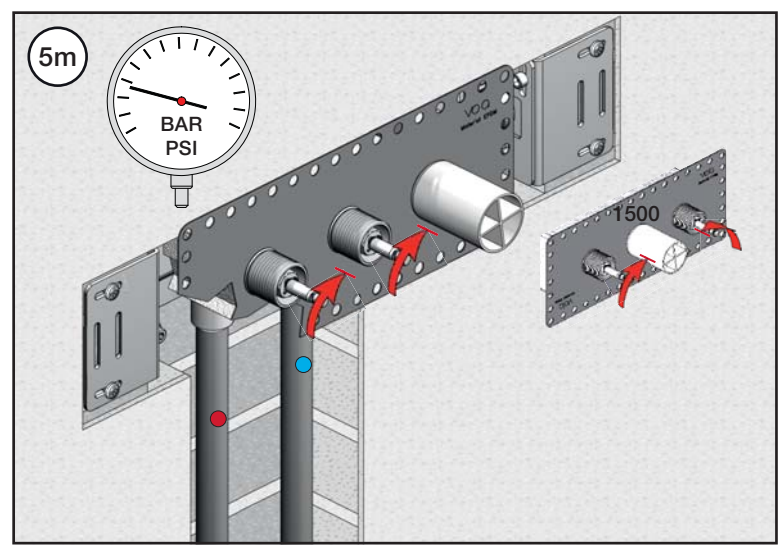
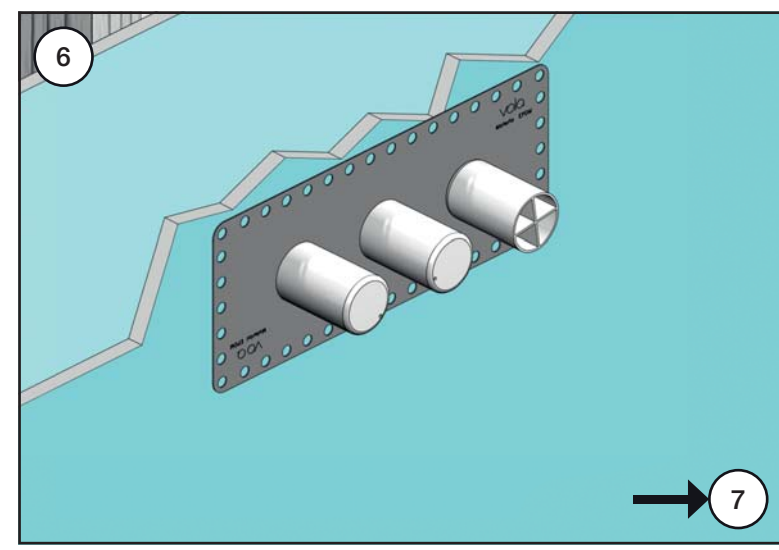
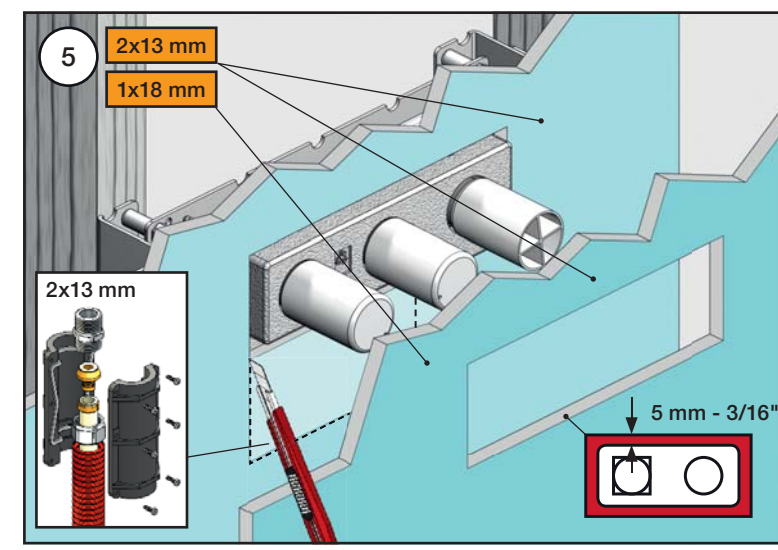
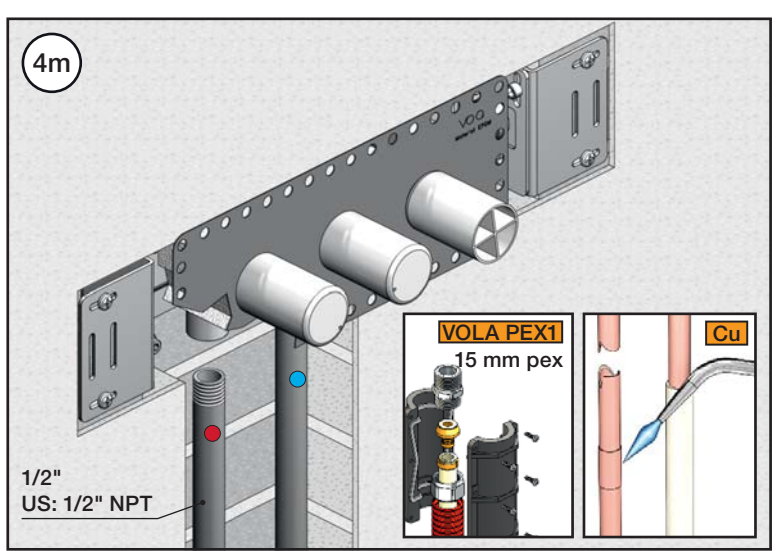
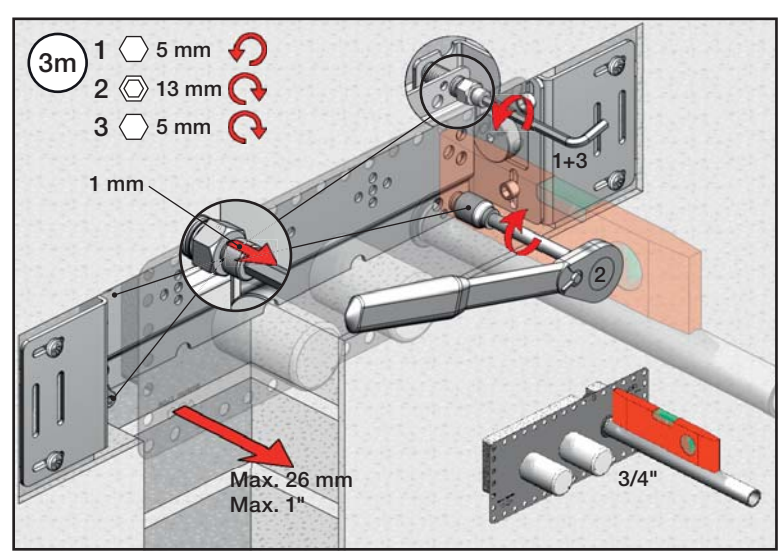
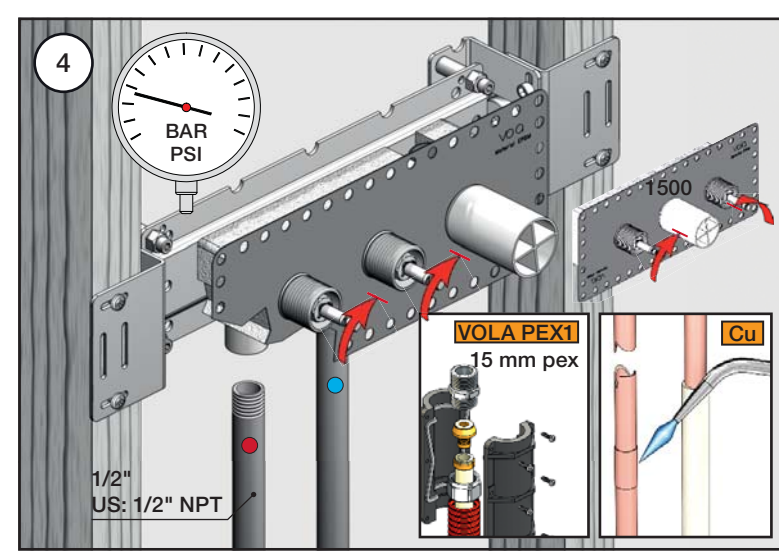
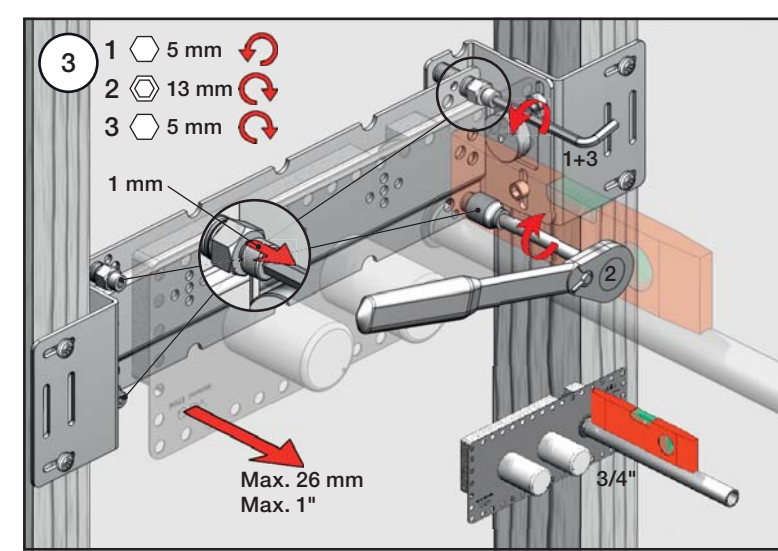
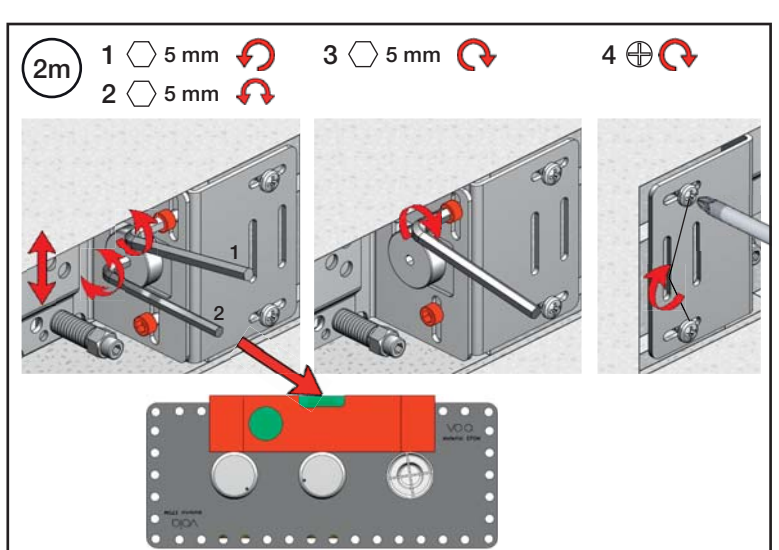
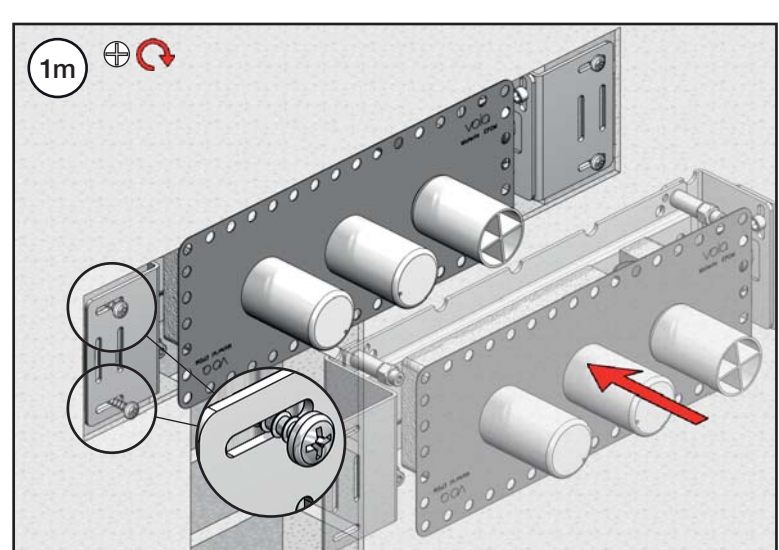
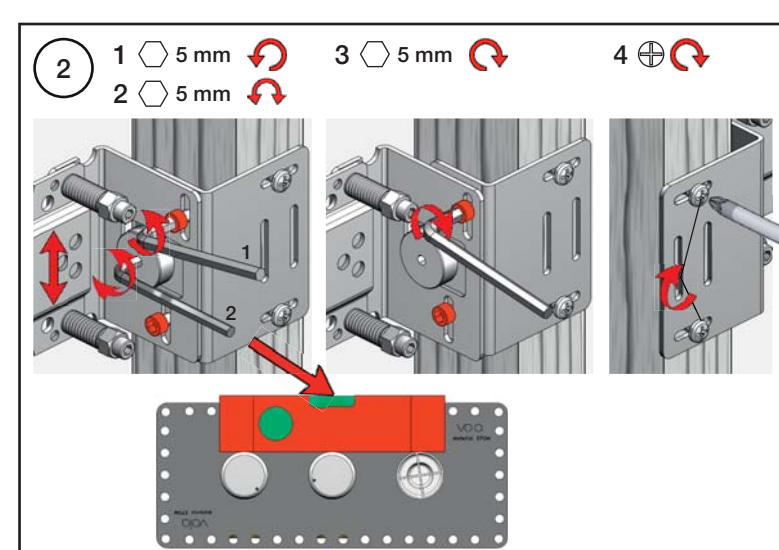
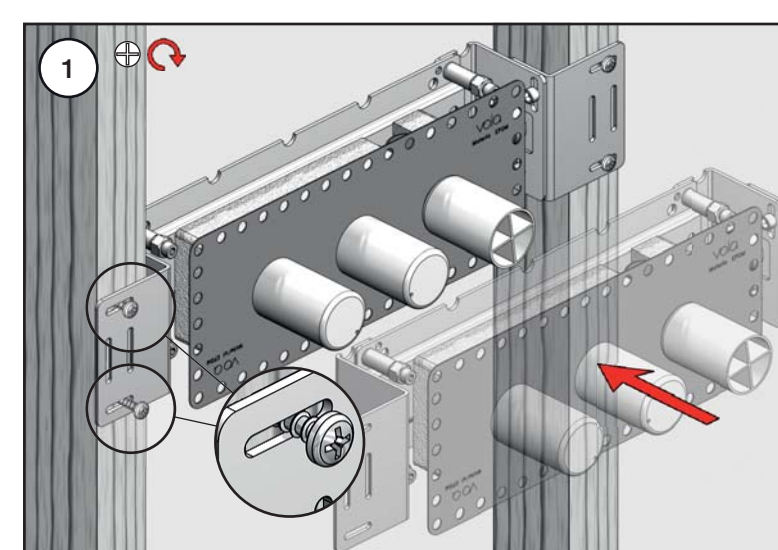


700: 700V + 200M
 800: 800V + 2 x 200M
 800N: 800NV + 200M
 800T: 800TV + 200M

	L	L1	L2	L3	H	H1	H2	H3
A	295 mm 11 1/2"	160 mm 6 1/2"	145 mm 5 3/4"	-	95 mm 3 3/4"	103 mm 4"	-	-
B	395 mm 15 1/2"	260 mm 10"	156 mm 6 1/8"	-			-	-
C	490 mm 19 1/2"	355 mm 14"	166 mm 6 1/2"	78 mm 3 1/16"			-	-
D	570 mm 23"	435 mm 17"	-	-			122 mm 4 3/4"	113 mm 4 1/2"



600-1500_V2 40999852

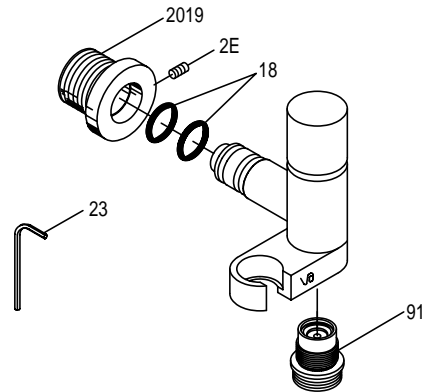
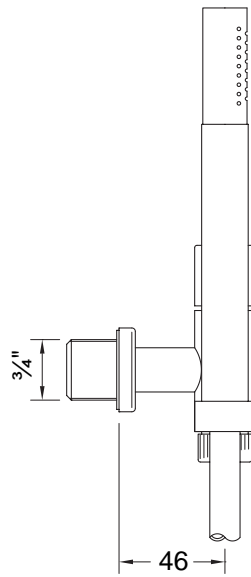
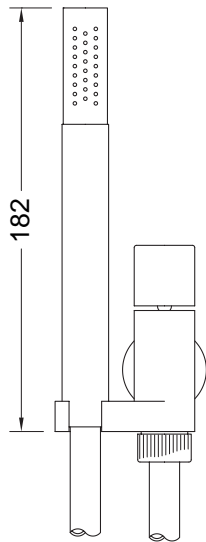


Vola 070

Vola A/S • Lunavej 2 • DK-8700 Horsens • Tel. +45 70 23 55 00
Fax +45 70 23 55 11 • sales@vola.dk • www.vola.com

vola®

Vola 070



AUSTRALIA

dedece
263 Liverpool Street
Darlinghurst
NSW 2010 Sydney
Tel: 2 9360 2722
Fax: 2 9356 4042
dedece@dedece.com
www.dedece.com

BELGIË

VOLA bvba
Valkenburgerstraat 23
1011 MG Amsterdam
Tel: 03 440 46 19
Fax: 03 448 22 04
sales@vola.be
www.vola.be

CANADA

Ginger's Bath
95 Ronald Ave.
Toronto, Ontario
M6B 4L9
Tel: 416-787-1787
Fax: 416-787-1748
gingers@gingersbath.com
www.elte.com

CHINA

Badeluxe Trading Limited
Unit D4, Basement 3
COFOO Plaza
No. 8 Jian Guo Men Nei Avenue
Dong Cheng District
Beijing 100005 China
Tel: (86) 010 6526 1363
Fax: (86) 010 6526 1373
info@badeluxe.com

DANMARK

VOLA A/S
Lunavej 2
8700 Horsens
Tel: + 45 70 23 55 00
Fax: + 45 70 23 55 11
sales@vola.dk
www.vola.dk

DEUTSCHLAND

VOLA GmbH
Schwanthaler Straße 75A
80336 München
Tel: 089/599959-0
Fax: 089/599959-90
vola@vola.de
www.vola.de

ESPAÑA

ARTQUITECT
C/ Dolors Granés, 79
08440 Cardedeu
Barcelona
Tel: 93 844 40 70
Fax: 93 844 40 71
info@artquitect.net
www.artquitect.net

ESTONIA

Hals Interiors OÜ
Kadaka tee 42H
12915 Tallinn
Tel: 71 514 10
Fax: 71 514 11
hals@hals.ee
www.hals.ee

FRANCE

sopha industries
44, rue Blanche
75009 Paris
Tel: 01 42 81 25 85
Fax: 01 40 16 45 18
sopha@sopha.fr
www.sopha.fr

GREAT BRITAIN

VOLA UK Ltd.
Unit 12, Ampthill Business Park
Station Road, Ampthill
Bedfordshire MK45 2QW
Tel: 01525 84 11 55
Fax: 01525 84 11 77
sales@vola.co.uk
www.vola.co.uk

HELLAS

moda bagno s.a.
50 Anapafseos Street
Vriliisia 15 235, Athens
Tel: 210 8036700
Fax: 210 8049408
Fax: 210 8046987
info@modabagno.gr
www.modabagno.gr

HONG KONG

portfolio group limited
G/F, 59 Elgin Street,
Central, Hong Kong
Tel: 28680765
Fax: 25247887
sales@pgjtd.com.hk

H2O Pro Ltd.

16/F First Commercial Building,
33 Leighton Road
Causeway Bay
Tel: 852 2891 6860
Fax: 852 2834 3029
info@h2opro.com.hk
www.ebon.com.hk

ISLAND

Tengi ehf.
Smidjuvegur 76
200 Kópavogur
Tel: 414-1000
Fax: 414-1001
www.tengi.is

ITALIA

RAPSEL Spa
Via Volta, 13
20019 Settimo Milanese (MI)
Tel: 02.33 55 981
Fax: 02.33501306
rapsei@rapsei.it
www.rapsei.it

KOREA

E.L. System Co. Ltd.
Jaemyoung B/D
893-12
Bangbae 1dong
Secho-Gu
Seoul
Tel: 82-2-598-4517
Fax: 82-2-521-3786

KYPRIAKI DIMOKRATIA

S.C. Nicolaidis Ltd.
3, Gregoriou Karekla str.
Strovolos
P.O. Box 21703
1512 Nicosia
Tel: 22 813 200
Fax: 22 424 803
info@oikia.com.cy

LATVIA

Hals Trading ltd.
Antenas str. 3
1004, Riga
Tel: 7629561
Fax: 7627190
info@halstrading.lv
www.hals.ee

LEBANON

Geahchan Group
Sin El Fil
Geahchan Building
Hayek Round About
Beirut
Tel: 01. 480 520
Fax: 01. 496 607
info@geahchangroup.com
www.geahchangroup.com

MEXICO

Productos de Latón
de Alta Calidad S.A. de C.V.
México, D.F.
Tel: 01800 2253946
Fax: 01(55) 2614 9312
placsadecv@hotmail.com
www.gzdisi.biz/vola/vola.html

NEDERLAND

VOLA Sanitair BV
Valkenburgerstraat 23
1011 MG Amsterdam
Tel: 020 36 56 356
Fax: 020 36 56 482
info.nl@vola.com
www.vola.com

NIPPON

Cera Trading Co.,Ltd
Juko BLDG.6F,
1-26-1 Minami-Aoyama,
Minato-ku,
Tokyo 107-0062
Tel: 03-3796-6151
Fax: 03-3402-7185
cera@mb.toto.co.jp
www.cera.co.jp

Fuji Design Corporation

3 -15 -14 Higashi-Ikebukuro
Toshima-Ku
Tokyo 170-0013
Tel: 03-3983-2251
Fax: 03-3988-8320
inf@fujid.com
www.fujid.com

NORGE

shelby teknikk as
Strandgaten 55
4370 Egersund
Tel: 51 46 18 00
Fax: 51 46 18 01
post@shelby.no
www.shelby.no

ÖSTERREICH

VOLA Vertriebs GmbH
Kandlgasse 19
1070 Wien
Tel: 01/526 39 71-0
Fax: 01/526 39 71-20
info@vola.at
www.vola.at

RUSSIA

Tendenza
UL. Solyanka 1/2-1
109028 Moscow
Tel: 624-13-12
Tel: 624-24-49
Fax: 624-10-50
www.tendenza.ru
info@tendenza.ru

PORTUGAL

CARVALHO, BATISTA & Ca, Sa.
Rua do Almada
29-79-89 - Apartado 4784
4013-001 Porto
Tel: 22 339 21 26 / 7 / 9
Fax: 22 205 96 11
carvalhobatista@mail.telepac.pt
www.carvalhobatista.pt

SCHWEIZ

VOLA AG
Mülstr. 18
8320 Fehraltorf
Tel: 044/955 18 18
Fax: 044/955 18 19
sales@vola.ch
www.vola.ch

SLOVENIJA

MODERNA d.o.o.
Peričeva 31
1000 Ljubljana
Tel: + 386 4 058 95 93
Tel: + 386 1 236 21 83
Fax: + 386 1 236 21 84
info@moderna.si
www.moderna.si

SUOMI

INNO-TUOTE OY
Main office and production
TÄHDENLENNONTIE 9
02240 ESPOO
Tel: (0) 9 8870 380
Fax: (0) 9 8870 3833
info@innointerior.fi
www.inno.fi

SOUTH AFRICA

Still the bathroom gallery
Unit 111A, The Foundry
74 Prestwich Str.
Green Point Cape Town
South Africa 8001
Tel: 021 421 9970/2
Fax: 021 421 9971
info@stillbathrooms.co.za
www.stillbathrooms.co.za

SVERIGE

VOLA ab
Ruddammgatan 14, 2
S-803 20 Gävle
Tel: 026-140230
Fax: 026-140231
sales@vola.se
www.vola.se

UNITED ARAB EMIRATES

Sanipex LLC
Sheik Zayed Road
P.O. Box 30871
Dubai
Tel. 971 4 339 5660
Fax 971 4 339 5671
www.sanipexdubai.com

UNITED STATES

Hastings Tile and Bath Collection
30 Commercial Street
Freeport, NY 11520
Tel: 516-379-3500
Tel: 800-351-0038
Fax: 516-223-8495
vola@hastings30.com
www.hastings30.com

VOLA 080

VOLA A/S • Lunavej 2 • DK-8700 Horsens • Tel. +45 70 23 55 00
Fax +45 70 23 55 11 • sales@vola.dk • www.vola.com

vola

