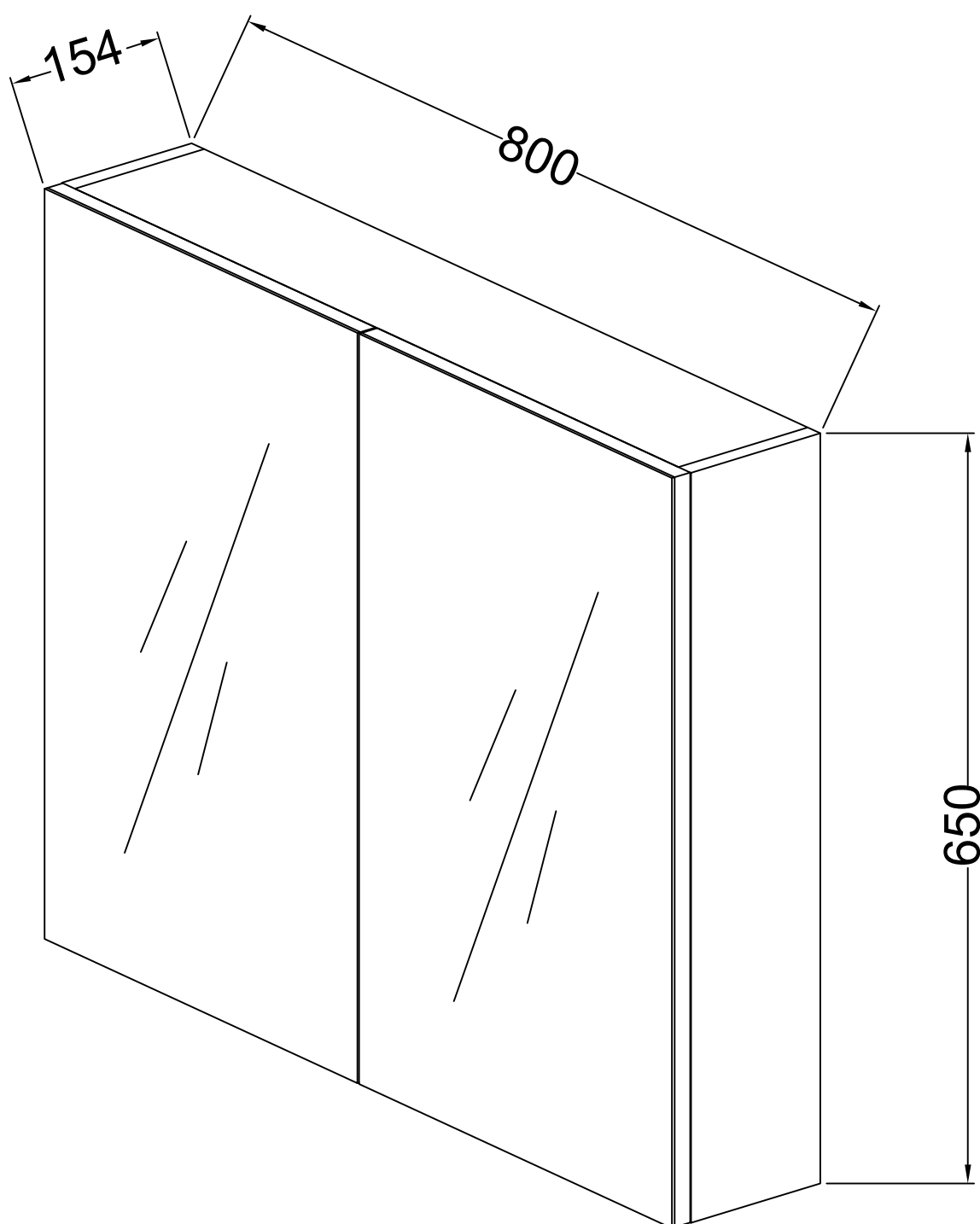
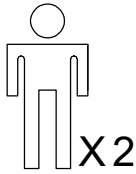


BRAZIL SPEJLSKABET 80

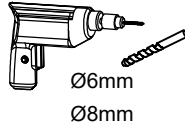
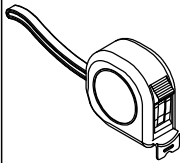
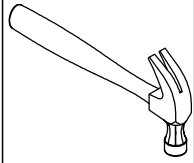




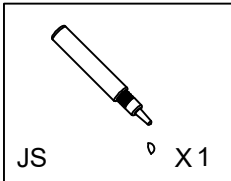
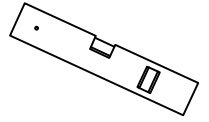
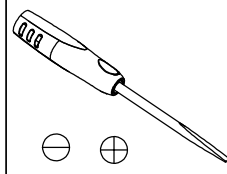
90 minutes



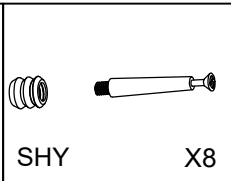
X2



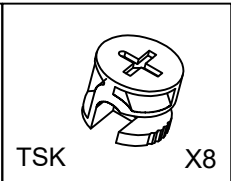
Ø6mm
Ø8mm



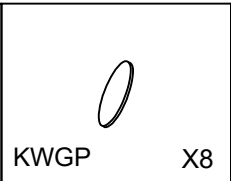
JS X1



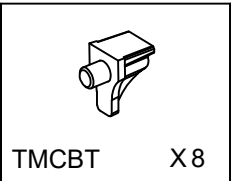
SHY X8



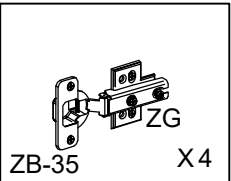
TSK X8



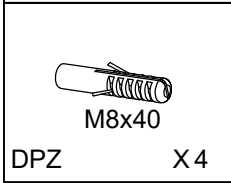
KWGP X8



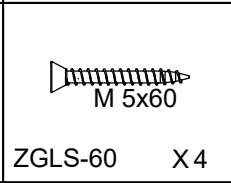
TMCBT X8



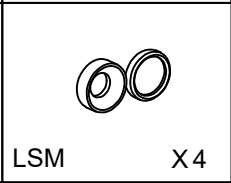
ZB-35 X4



DPZ X4

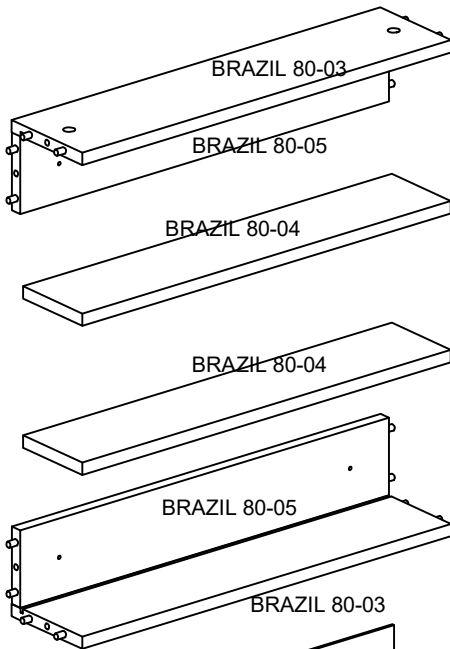
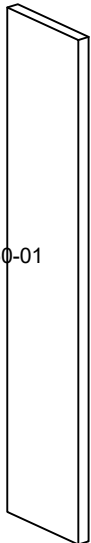


ZGLS-60 X4



LSM X4

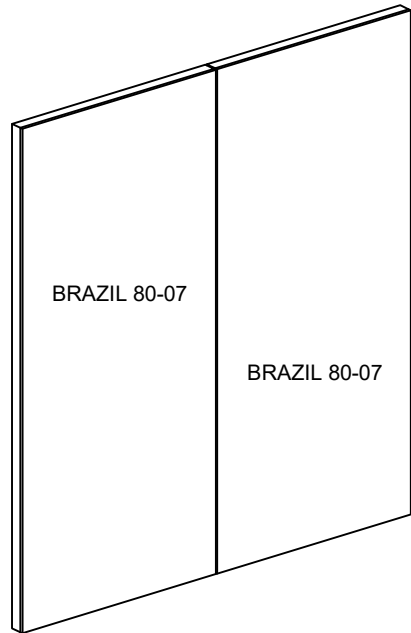
BRAZIL 60-01



BRAZIL 60-02



BRAZIL 80-07



BRAZIL 80-07

BRAZIL 80-06



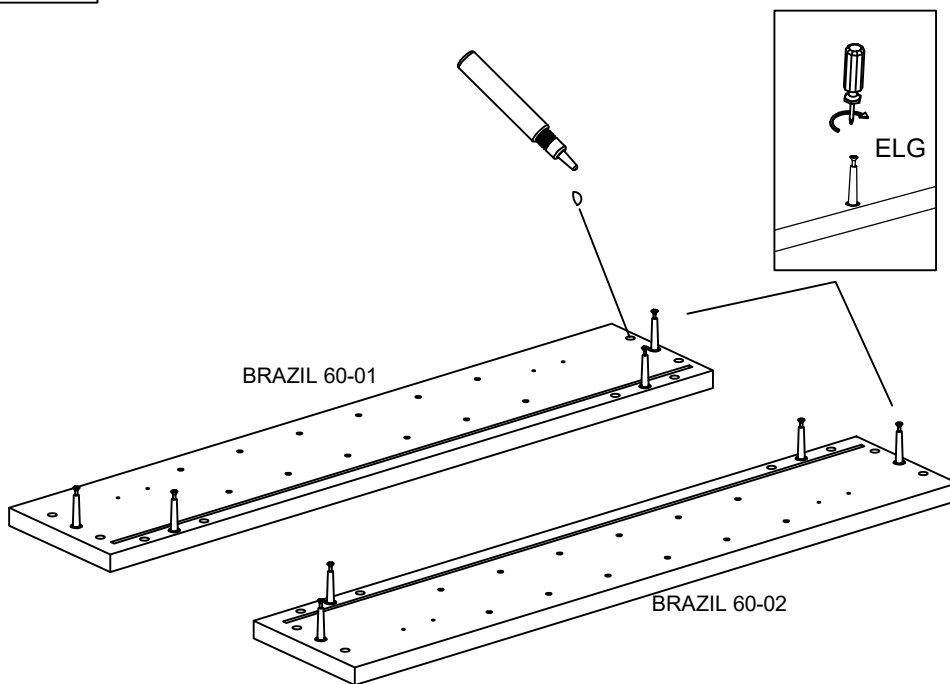
1



SHY



X8



2



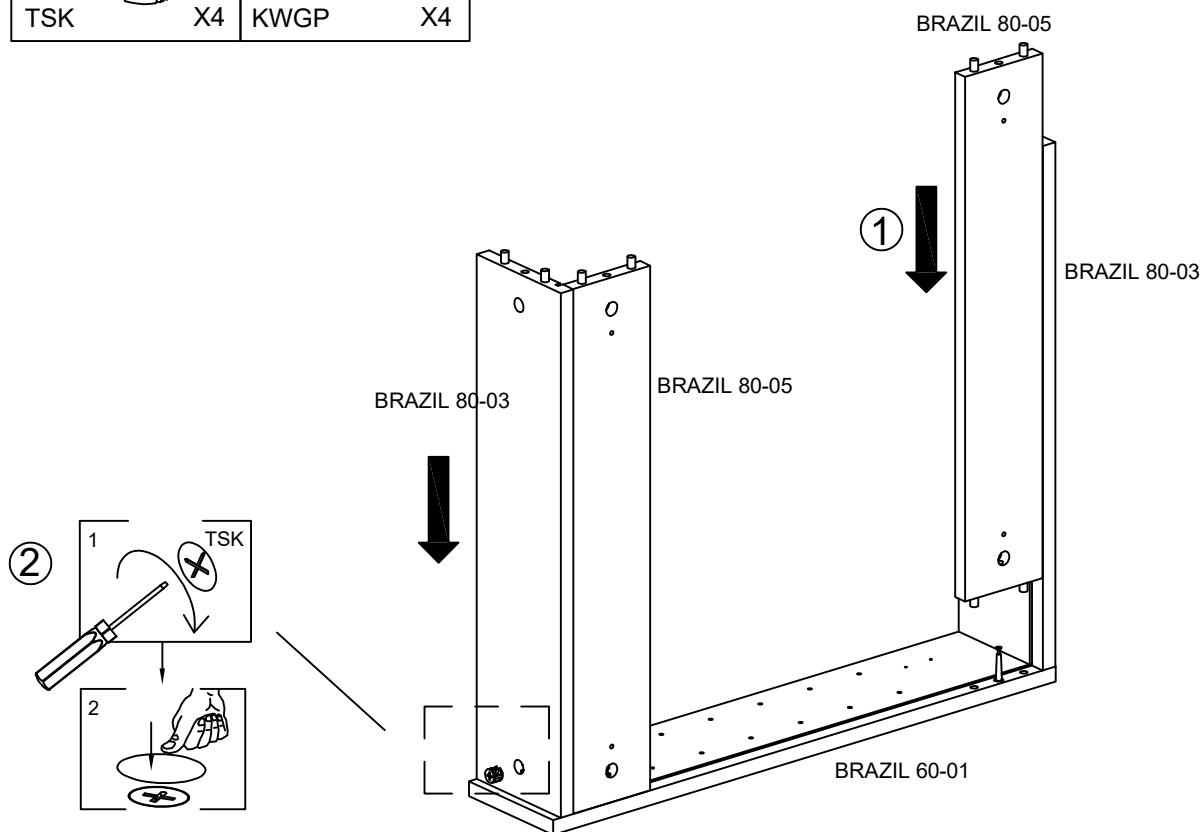
TSK

X4

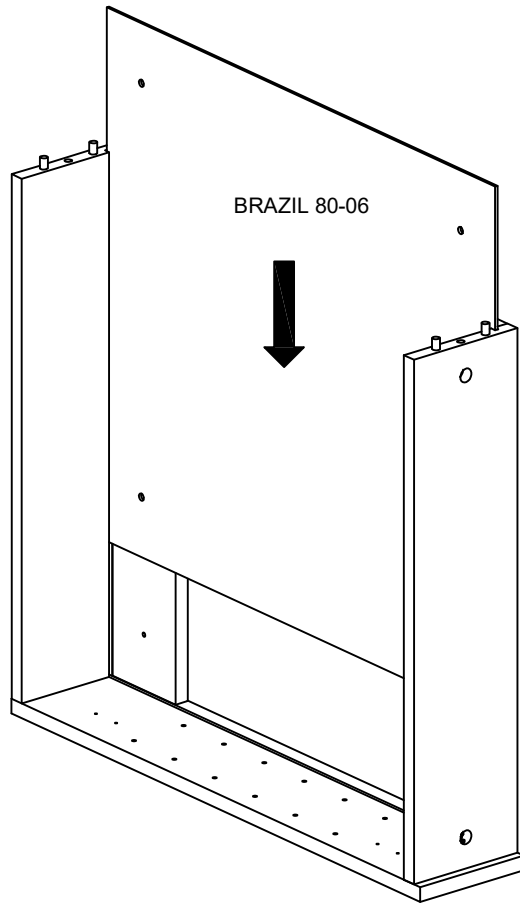


KWGP

X4



3



4



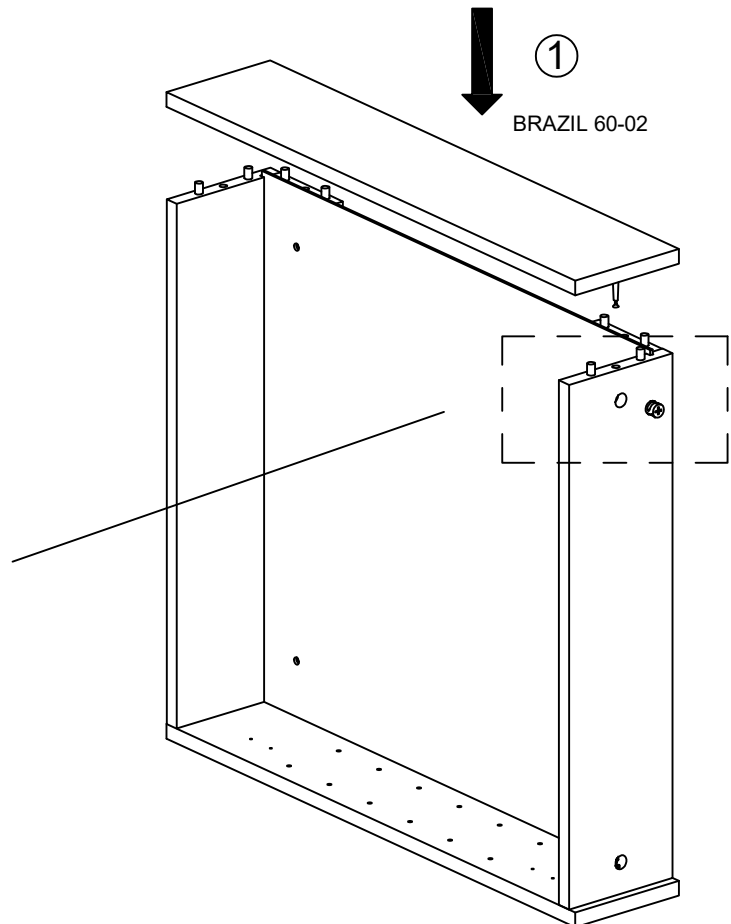
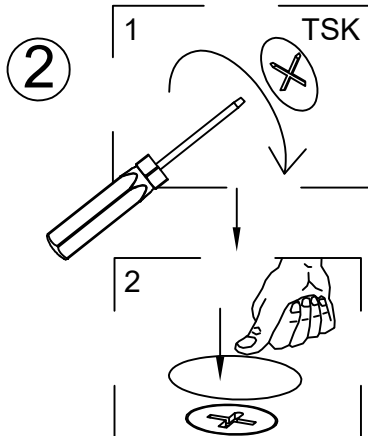
TSK

X4



KWGP

X4

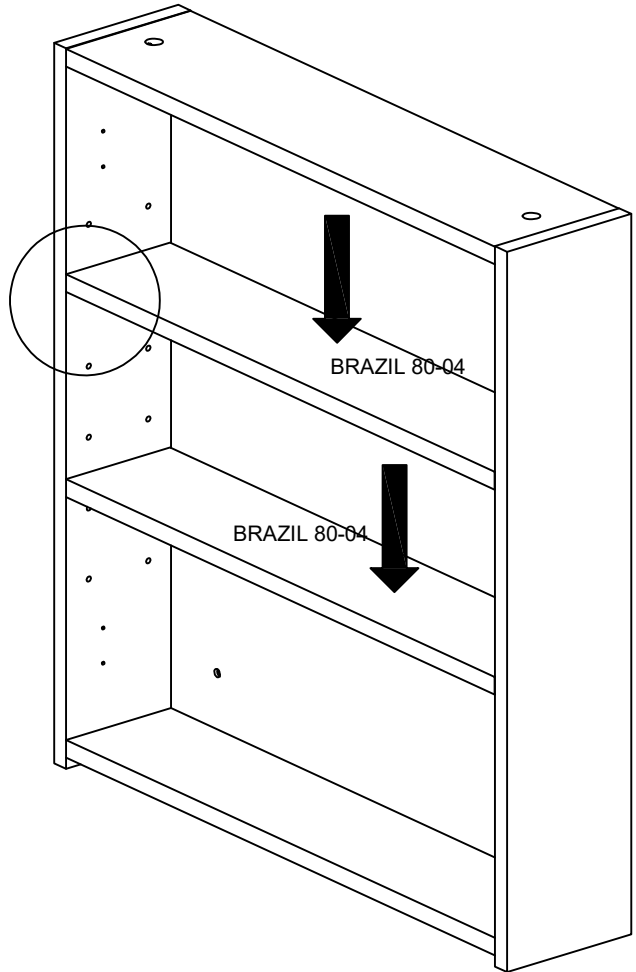
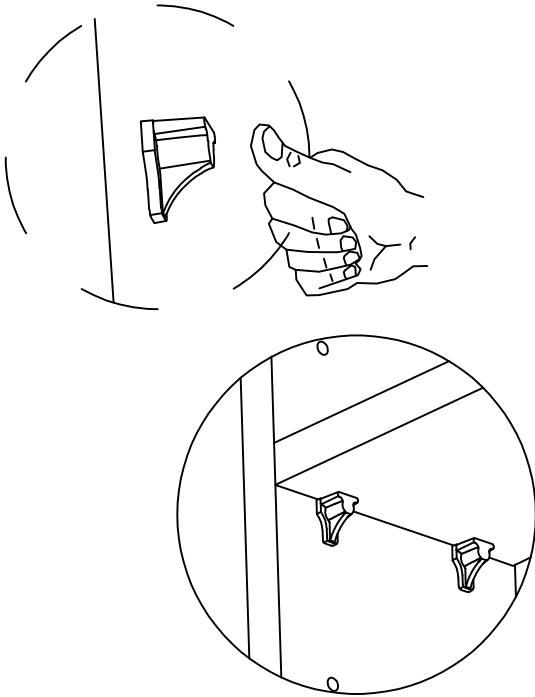


5

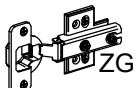


TMCBT

X8

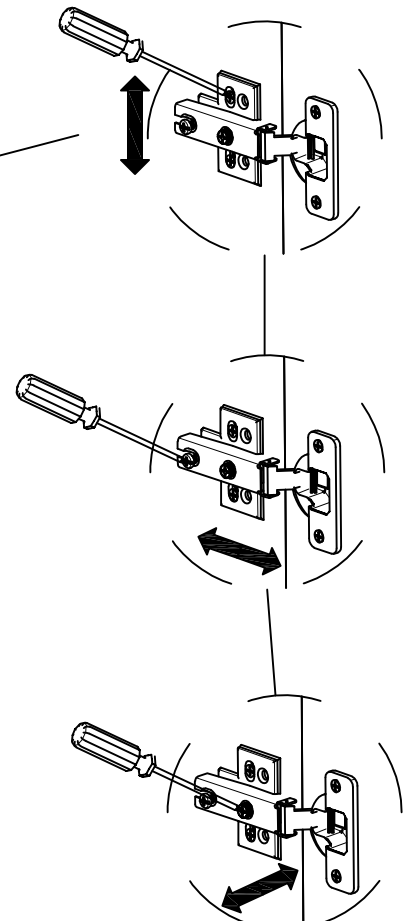
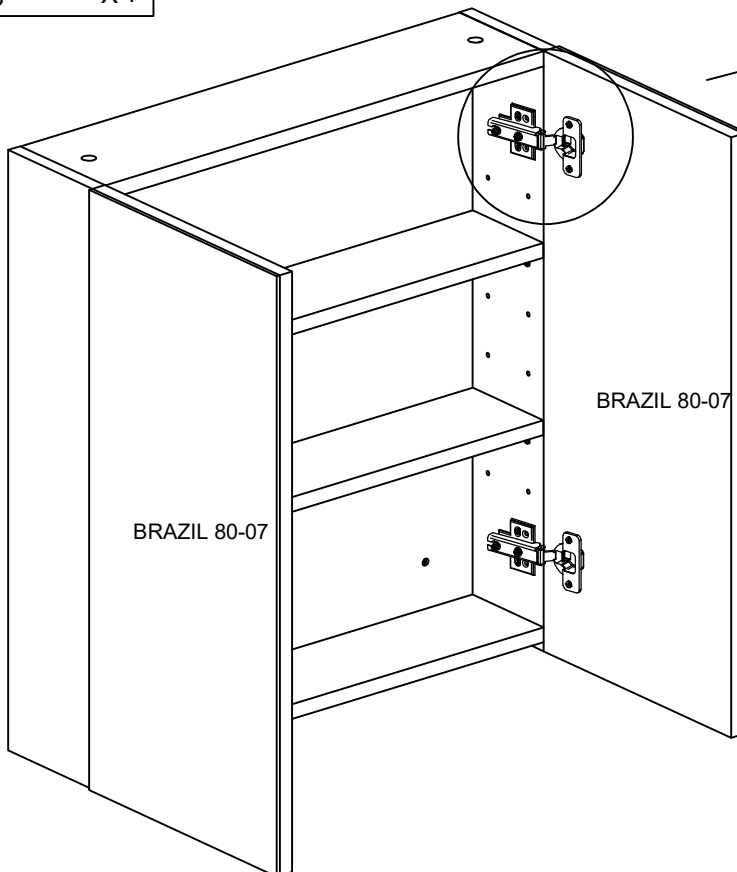


6



ZB-35

X4



7



M8x40

DPZ

X4



M 5x60

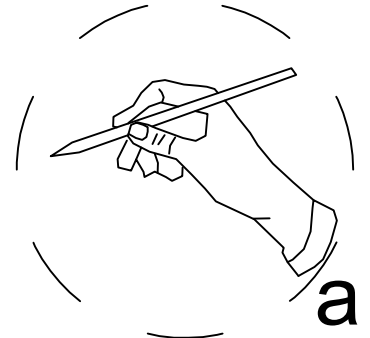
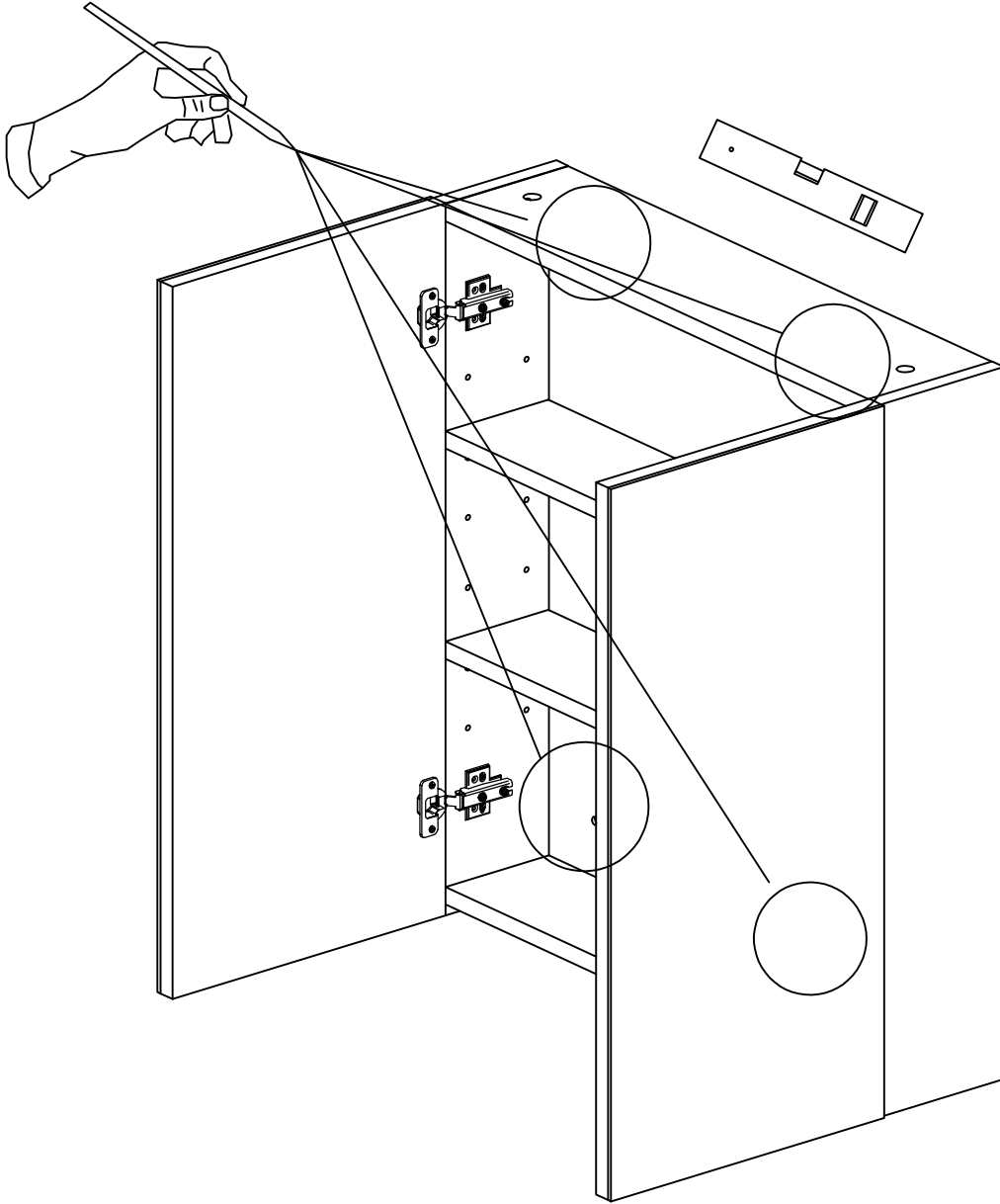
ZGLS-60

X4

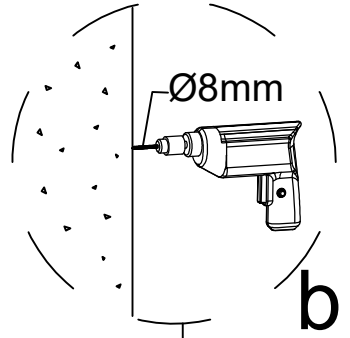


LSM

X4

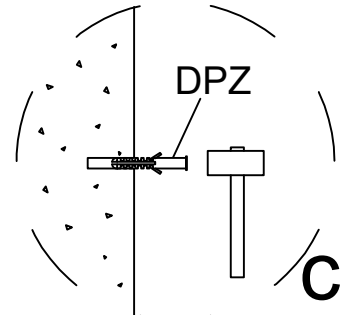


a



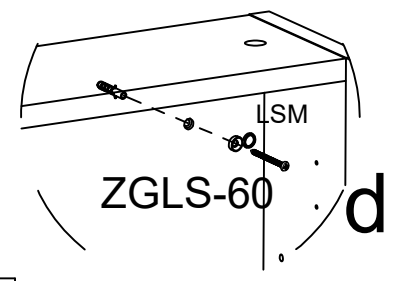
Ø8mm

b



DPZ

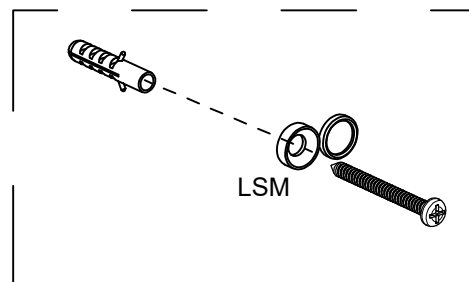
c



ZGLS-60

LSM

d



LSM